

THE NEW



GRILL

*The Grill That Cooks It All!*



*An American Made Grill*

# The New Phoenix Grill is more than a grill— it is a complete outdoor cooking system!

Easy enough for a beginner to use but built with all the quality and cooking features for the serious griller. This new outdoor cooking platform allows you to Grill, Roast, Steam and Smoke foods. Designed to enhance the flavor of the food, features have been built-in to reduce flavor damaging flare-ups. Grill with worry-free confidence that you will get great tasting food and consistent results.



**It Grills**



**It Roasts**



**It Steams**



**It Smokes**

## Built with quality

Stainless Steel or Powder Coated Aluminized Steel Grill Head

Exclusive Sta-Kool stainless steel handle that swivels as you lift

Stainless steel dual burner with individual controls

Electronic ignition with stainless steel gas collector box for faster starts from either side of dual burner. *Battery included.*

Aluminum or stainless steel column encloses propane cylinder

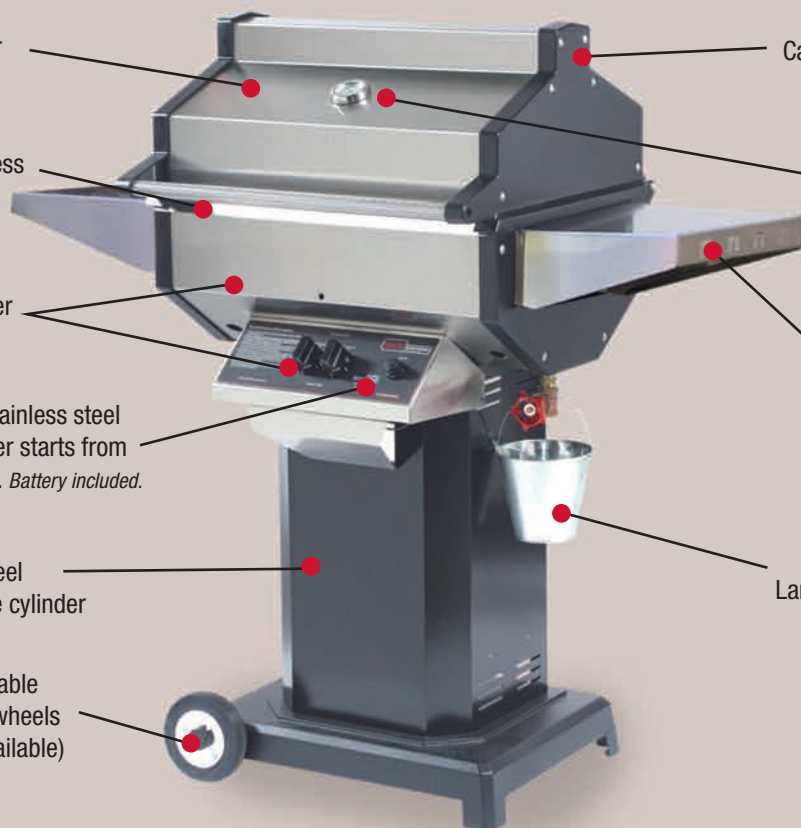
Solid cast aluminum portable base with 6 inch rubber wheels (Deck/Patio Base also available)

Cast aluminum end caps for greater stability

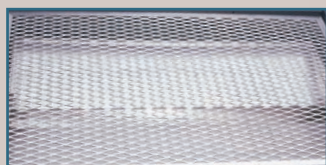
Stainless steel heat indicator

Stainless steel side shelves with utensil hooks (All grills come standard with 2 stainless steel shelves)

Large grease collector bucket



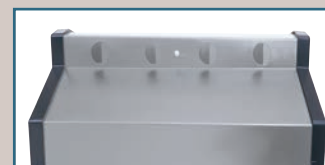
Stainless steel dual burner provides precise heat and each side is controlled individually. A stainless steel gas collection box is included for faster, more reliable starts.



Stainless steel cooking grid with handles for easy removal. Grid measures 24-1/4" x 16-1/2", over 400 square inches of cooking surface.



Cast aluminum drip pan shields food from direct contact with flame.



Vents with damper slide for added heat retention in cold weather.

THE NEW

# PHOENIX

GRILL



**PFMGWCN** Natural Gas  
**PFMGWCP** LP Gas

*(12ft. hose with quick disconnect coupler included with Nat. Gas Model)*

**25,000 BTU**  
**400 Sq. Inch Cooking Area**

**Cast Aluminum End Caps & Aluminized Steel Grill Head Mounted on Aluminum Open Cart**



**PFMGBOCN** Natural Gas  
**PFMGBOCP** LP Gas

*(12ft. hose with quick disconnect coupler included with Nat. Gas Model)*

**25,000 BTU**  
**400 Sq. Inch Cooking Area**

**Cast Aluminum End Caps & Aluminized Steel Grill Head Mounted on Aluminum Column and Cast Aluminum Base**



**SDBOPN** Natural Gas  
**SDBOPP** LP Gas

*(Stainless Steel gas feed tubing included with Nat. Gas Model)*

**Cast Aluminum End Caps & Stainless Steel Grill Head Mounted on Aluminum Column and Cast Aluminum Base**  
**25,000 BTU | 400 Sq. Inch Cooking Area**



**SDBOCN** Natural Gas  
**SDBOCP** LP Gas

*(12 ft. hose with quick disconnect coupler included with Nat. Gas Model)*



**SDSSOPN** Natural Gas  
**SDSSOPP** LP Gas

*(Stainless Steel gas feed tubing included with Nat. Gas Model)*

**Cast Aluminum End Caps & Stainless Steel Grill Head Mounted on a Stainless Steel Column and Cast Aluminum Base**  
**25,000 BTU | 400 Sq. Inch Cooking Area**



**SDSSOCN** Natural Gas  
**SDSSOCP** LP Gas

*(12 ft. hose with quick disconnect coupler included with Nat. Gas Model)*

# Phoenix Grill Accessories



## Stainless Steel Smoker Box

**SDSSST**

Stainless steel smoker box with cover. For use with all grills. Insert moistened wood chips (not included) for your favorite smoke flavor. 9" L x 3-3/4" W x 1-1/2" D.



## Wundersmoke Chips

**SDBP5** (1 lb. mesquite)

**SDBP6** (1 lb. hickory)

**SDBP7** (1 lb. maple)

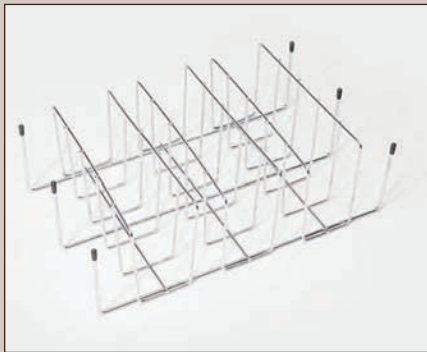
These unique mesquite, hickory or maple wood smoking chips add distinctive flavoring to your food. For use with all grills. All flavors come with reusable metal puck.



## Stainless Steel Cleaner

**SDSCC**

Specially formulated stainless steel cleaner, suitable for MHP Stainless products. 8 oz. bottle.



## Rib/Potato Rack

**SDRR2**

Chrome plated rib/potato rack holds up to 6 racks of ribs and 6 potatoes. Fits all grills. 12" x 7-1/4"



## Roast Holder

**RR3**

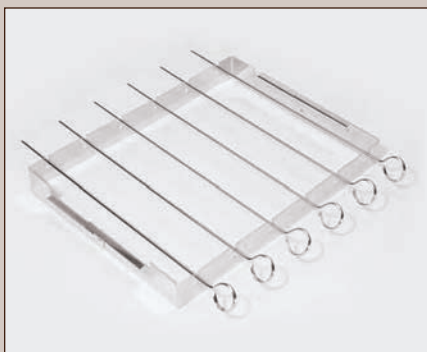
This holder is an ideal way to cook and also carry a roast from the grill. Made of heavy, bright nickel-plated steel. 15-1/4" L x 10-1/2" W.



## Jalapeno Pepper Popper Tray

**JPT**

11-1/4" X 6" stainless steel jalapeno pepper tray. Great for cooking jalapeno poppers stuffed with cheese, sausage, crab meat or any of your favorite ingredients.



## Shish Kabob Tray

**SDSK1**

Deluxe chrome plated folding shish kabob tray and (6) 14" skewers. Fits all grills. 13-1/2" x 9-1/2"



## Skewer Set

**SDSR7B**

6 piece skewer set. Universal chrome plated skewer set, designed so food does not rotate. Great kabobs! 19-1/2" long.



## Drip Pan Scraper

**SDDPS**

Stainless Steel scraper for Phoenix and Holland drip trays.

# Phoenix Grill Accessories



## SearMagic® Cooking Grid

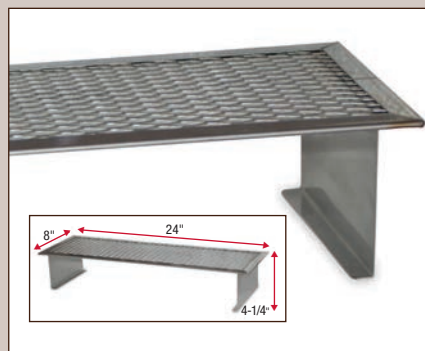
**SDGRIDS**  
8" x 16-3/8"

This unique grid is designed to be placed on top of your existing cooking grid. It heats up faster and cooks all foods at a uniform temperature. Use the wide-ribbed side for larger items, branding them with sear lines. Use the flip side, with its smooth surface, for grilling delicate foods.



Smooth Side

Ribbed Side



## Secondary Cooking Surface/Warming Rack

**SDSCS**

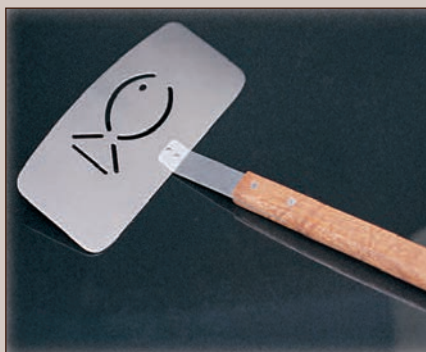
More than a typical warming rack. This elevated surface cooks at lower temperatures for added flexibility! 24" W x 8" D x 4-1/4" H.



## 3 Piece Stainless Steel Tool Set

**SD14501**

With Euro design. Includes spatula, fork and tongs.



## Fish Spatula

**SDFS1**

Stainless steel fish spatula with genuine rosewood handle. 18-1/2" L. 10" spatula width.



## Flipper

**SDSF1**

Stainless steel super flipper. The ultimate spatula tool, specially curved for perfect flips every time. 18" overall.



## Griddle

**SDAG**

16" x 12" Heavy aluminum griddle. Perfect for cooking French toast, eggs, bacon and more on your grill.



## Mid-Length Grill Cover

**SDGGCVPREM**

Premium quality polyester lined vinyl cover with E-Z on/off Velcro tabs. Fits Phoenix grill with two side shelves. 60" left to right, 20" front to back, 24" top to bottom



## Full-Length Grill Cover

**SDCV4PREM**

Premium quality polyester lined cover with E-Z on/off Velcro tabs. Fits Phoenix Grill with two shelves and other large grills. Full-length. 60" left to right; 20" front to back; 42" top to bottom.



**1st in Outdoor Gas Grills**  
**1st in Residential Outdoor Gas Lighting**  
**1st in After Market Replacement Parts**

**PHOENIX GRILL WARRANTY**

**Lifetime Warranty on the following: (Against Rust Through)**

- Stainless Steel Grill Top and Bottom
- Cast Aluminum Grill Top & Bottom Side Pieces (Paint Excluded)
- Control Panel
- Stainless Steel or Aluminum Column
- Deck/Patio Base
- Portable base
- Cast Aluminum Open Frame Cart
- Stainless Steel Cooking Grid
- Stainless Steel Fasteners

**10-year Warranty on the following: (Against Rust Through)**

- Stainless Steel Burner
- Stainless Steel Side Shelves
- Stainless Steel & Cast Aluminum Drip Pans

**5-year Warranty on the following: (Against Rust Through)**

- Black Aluminized Grill Top & Bottom (Paint Excluded)

**1-year Warranty on the following: (Against Rust Through)**

- All other Components including: Igniter System, Gas Valves & Knobs



[www.newphoenixgrills.com](http://www.newphoenixgrills.com)

**5565 North 124th Street • Butler, WI 53007**

**Phone: 888.781.4657 • 262.781.4657**

**Fax: 888.781.3965 • 262.781.3965**

**E-Mail: [info@profiregrills.com](mailto:info@profiregrills.com)**

**Other quality products from Modern Home Products**



First in Outdoor Gas Grills

[www.mhpgrills.com](http://www.mhpgrills.com)



Grill Accessories and Replacement Grill Parts



[www.profiregrills.com](http://www.profiregrills.com)



Outdoor Lighting

*This literature may not be copied, photocopied, reproduced, translated or published in any electronic or machine-readable form, in whole or in part, without prior written approval of Modern Home Products Corp.*